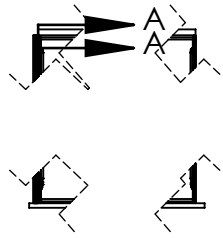


Monday, September 12, 2022 4:02:14 PM

POWERLIFT JUNIORPLUS HEAD DETAIL (SOLID WOOD BUILDING HEAD MEMBER)



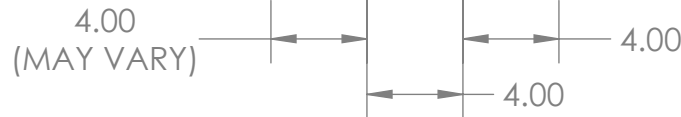
WOOD LAGS SPACED
36" MAX ON-CENTER
TYP 1/2" DIA WOOD
LAG (SIZE MAY VARY)

POWERLIFT FRAME
HEADER TUBE

BUILDING HEADER
SOLID WOOD BY OTHERS
(SIZE AND RELATIVE
LOCATION MAY VARY)

POWERLIFT HINGES

POWERLIFT SWINGING
DOOR LEAF



SECTION A-A
SCALE 1 : 8

PROPRIETARY AND CONFIDENTIAL

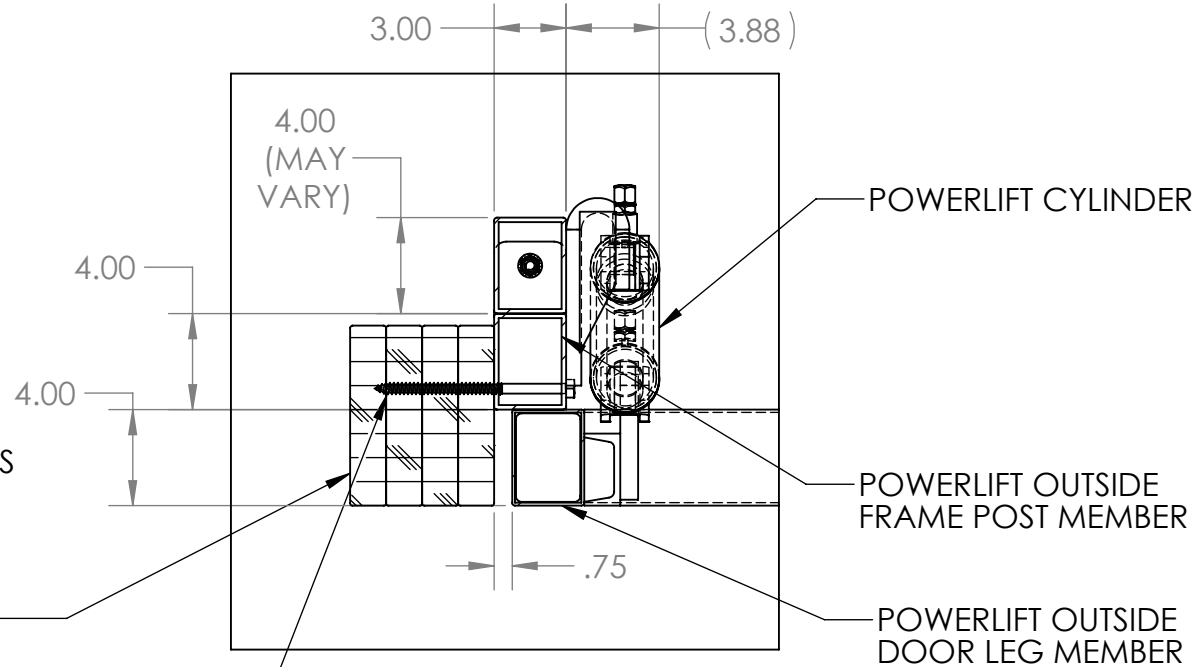
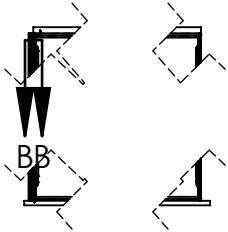
THE INFORMATION CONTAINED
IN THIS DRAWING IS THE SOLE
PROPERTY OF POWERLIFT
DOORS. ANY REPRODUCTION
IN PART OR AS A WHOLE
WITHOUT THE WRITTEN
PERMISSION OF POWERLIFT
DOORS IS PROHIBITED.



		UNLESS OTHERWISE SPECIFIED:		NAME	DATE	Part Number
		DIMENSIONS ARE IN INCHES TOLERANCES: FRACTIONAL ± ANGULAR: MACH ± BEND ± TWO PLACE DECIMAL ± THREE PLACE DECIMAL ±	DRAWN			TITLE: Wood Jamb and Solid Wood Header
			CHECKED			
			ENG APPR.			
			MFG APPR.			
		INTERPRET GEOMETRIC TOLERANCING PER: ASME Y14. 5-2009	Q.A.			SIZE Door Type(s) A JuniorPlus REV A
NEXT ASSY	USED ON	MATERIAL ASTM A36, ASTM A500B	COMMENTS:			
		FINISH				
APPLICATION		DO NOT SCALE DRAWING				SCALE: 1:25 WEIGHT: 2238.49 SHEET 1 OF 3

Monday, September 12, 2022 4:02:14 PM

POWERLIFT JUNIORPLUS JAMB DETAIL (WOOD BUILDING JAMB MEMBER)



BUILDING JAMB
2X8 OR LARGER MEMBERS
BY OTHERS - CONFIRM
WITH LOCAL POWERLIFT
REPRESENTATIVE
(SIZE AND RELATIVE
LOCATION MAY VARY)

WOOD LAGS SPACED 36"
MAX ON-CENTER TYP 1/2"
DIA. WOOD LAG (SIZE MAY
VARY)

SECTION B-B
SCALE 1 : 8

PROPRIETARY AND CONFIDENTIAL

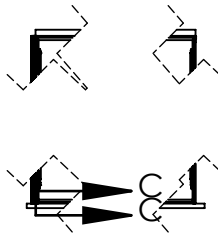
THE INFORMATION CONTAINED
IN THIS DRAWING IS THE SOLE
PROPERTY OF POWERLIFT
DOORS. ANY REPRODUCTION
IN PART OR AS A WHOLE
WITHOUT THE WRITTEN
PERMISSION OF POWERLIFT
DOORS IS PROHIBITED.



		UNLESS OTHERWISE SPECIFIED:		NAME	DATE	Part Number
		DIMENSIONS ARE IN INCHES		DRAWN		TITLE: Wood Jamb and Solid Wood Header
		TOLERANCES:		CHECKED		
		FRACTIONAL ±		ENG APPR.		
		ANGULAR: MACH ± BEND ±		MFG APPR.		
		TWO PLACE DECIMAL ±		Q.A.		
		THREE PLACE DECIMAL ±		COMMENTS:		SIZE Door Type(s) REV
		INTERPRET GEOMETRIC TOLERANCING PER: ASME Y14. 5-2009				A JuniorPlus A
		MATERIAL ASTM A36, ASTM A500B				SCALE: 1:25 WEIGHT: 2238.49 SHEET 2 OF 3
		FINISH				
	NEXT ASSY	USED ON				
	APPLICATION		DO NOT SCALE DRAWING			

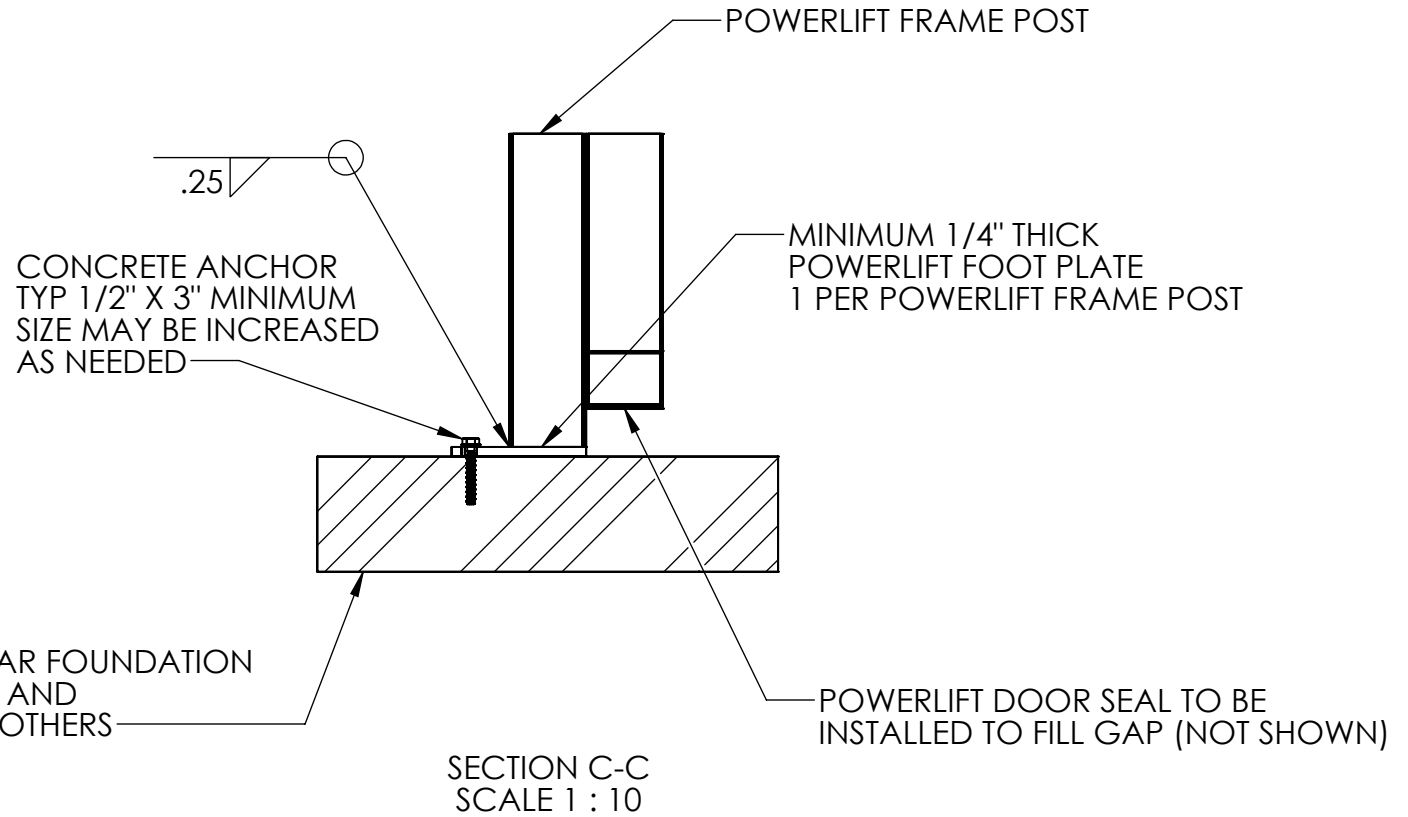
Monday, September 12, 2022 4:02:14 PM

POWERLIFT JUNIORPLUS SILL DETAIL



B

B



A

A

SECTION C-C
SCALE 1 : 10

PROPRIETARY AND CONFIDENTIAL

THE INFORMATION CONTAINED IN THIS DRAWING IS THE SOLE PROPERTY OF POWERLIFT DOORS. ANY REPRODUCTION IN PART OR AS A WHOLE WITHOUT THE WRITTEN PERMISSION OF POWERLIFT DOORS IS PROHIBITED.



		UNLESS OTHERWISE SPECIFIED:		NAME	DATE	Part Number
		DIMENSIONS ARE IN INCHES		DRAWN		TITLE: Wood Jamb and Solid Wood Header
		TOLERANCES:		CHECKED		
		FRACTIONAL ±		ENG APPR.		
		ANGULAR: MACH ± BEND ±		MFG APPR.		
		TWO PLACE DECIMAL ±		Q.A.		
		THREE PLACE DECIMAL ±		COMMENTS:		SIZE Door Type(s) REV
		INTERPRET GEOMETRIC TOLERANCING PER: ASME Y14. 5-2009				A JuniorPlus A
		MATERIAL ASTM A36, ASTM A500B				SCALE: 1:25 WEIGHT: 2238.49 SHEET 3 OF 3
		FINISH				
	NEXT ASSY	USED ON				
	APPLICATION		DO NOT SCALE DRAWING			