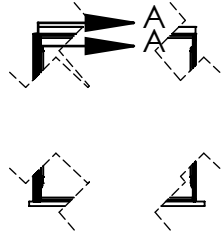


Monday, September 12, 2022 4:03:33 PM

# POWERLIFT JUNIORPLUS HEAD DETAIL (DOUBLE TRUSS WOOD BUILDING HEAD MEMBER)



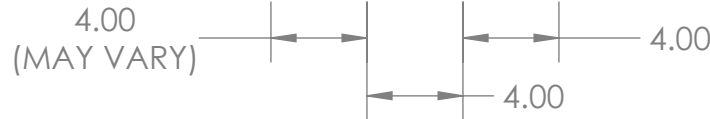
WOOD LAGS SPACED  
36" MAX ON-CENTER  
TYP 1/2" DIA WOOD  
LAG (SIZE MAY VARY)

POWERLIFT FRAME  
HEADER TUBE

BUILDING HEADER  
DOUBLE WOOD TRUSS  
BY OTHERS  
(SIZE AND RELATIVE  
LOCATION MAY VARY)

POWERLIFT HINGES

POWERLIFT SWINGING  
DOOR LEAF



SECTION A-A  
SCALE 1 : 8

**PROPRIETARY AND CONFIDENTIAL**

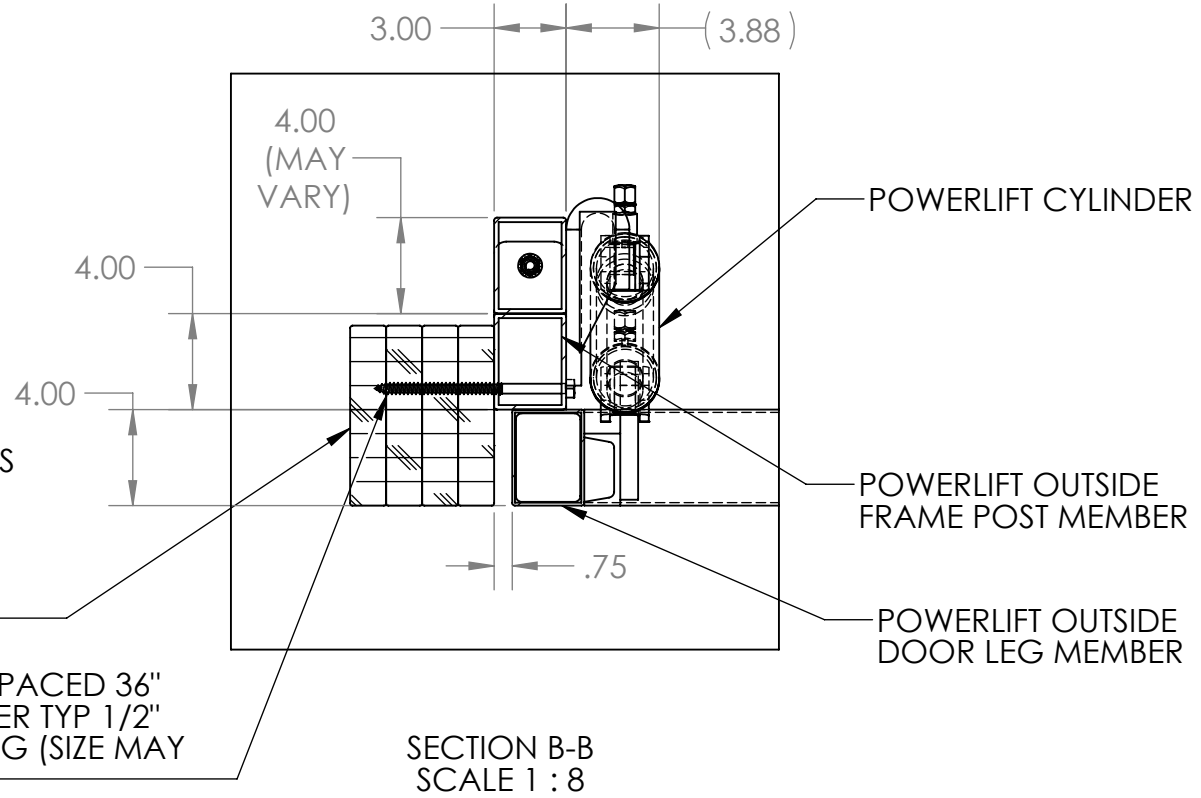
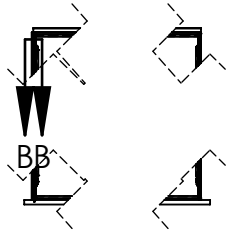
THE INFORMATION CONTAINED  
IN THIS DRAWING IS THE SOLE  
PROPERTY OF POWERLIFT  
DOORS. ANY REPRODUCTION  
IN PART OR AS A WHOLE  
WITHOUT THE WRITTEN  
PERMISSION OF POWERLIFT  
DOORS IS PROHIBITED.



		UNLESS OTHERWISE SPECIFIED:		NAME	DATE	Part Number
		DIMENSIONS ARE IN INCHES TOLERANCES: FRACTIONAL ± ANGULAR: MACH ± BEND ± TWO PLACE DECIMAL ± THREE PLACE DECIMAL ±	DRAWN			TITLE: <b>Wood Jamb and Double Truss Header</b>
			CHECKED			
			ENG APPR.			
			MFG APPR.			
		INTERPRET GEOMETRIC TOLERANCING PER: ASME Y14. 5-2009	Q.A.			SIZE Door Type(s) <b>A</b> JuniorPlus REV A
NEXT ASSY	USED ON	MATERIAL ASTM A36, ASTM A500B	COMMENTS:			
		FINISH				
APPLICATION		DO NOT SCALE DRAWING				SCALE: 1:25 WEIGHT: 2238.49 SHEET 1 OF 3

Monday, September 12, 2022 4:03:33 PM

# POWERLIFT JUNIORPLUS JAMB DETAIL (WOOD BUILDING JAMB MEMBER)



BUILDING JAMB  
2X8 OR LARGER MEMBERS  
BY OTHERS - CONFIRM  
WITH LOCAL POWERLIFT  
REPRESENTATIVE  
(SIZE AND RELATIVE  
LOCATION MAY VARY)

WOOD LAGS SPACED 36"  
MAX ON-CENTER TYP 1/2"  
DIA. WOOD LAG (SIZE MAY  
VARY)

B

B

**PROPRIETARY AND CONFIDENTIAL**

THE INFORMATION CONTAINED  
IN THIS DRAWING IS THE SOLE  
PROPERTY OF POWERLIFT  
DOORS. ANY REPRODUCTION  
IN PART OR AS A WHOLE  
WITHOUT THE WRITTEN  
PERMISSION OF POWERLIFT  
DOORS IS PROHIBITED.



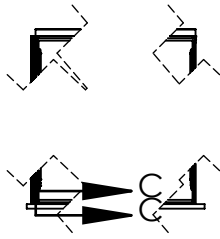
		UNLESS OTHERWISE SPECIFIED:		NAME	DATE	Part Number
		DIMENSIONS ARE IN INCHES TOLERANCES: FRACTIONAL ± ANGULAR: MACH ± BEND ± TWO PLACE DECIMAL ± THREE PLACE DECIMAL ±	DRAWN			TITLE: <b>Wood Jamb and Double Truss Header</b>
			CHECKED			
			ENG APPR.			
			MFG APPR.			
		INTERPRET GEOMETRIC TOLERANCING PER: ASME Y14. 5-2009	Q.A.			SIZE Door Type(s) <b>A</b> JuniorPlus REV A
NEXT ASSY	USED ON	MATERIAL ASTM A36, ASTM A500B FINISH	COMMENTS:			
APPLICATION		DO NOT SCALE DRAWING				SCALE: 1:25 WEIGHT: 2238.49 SHEET 2 OF 3

A

A

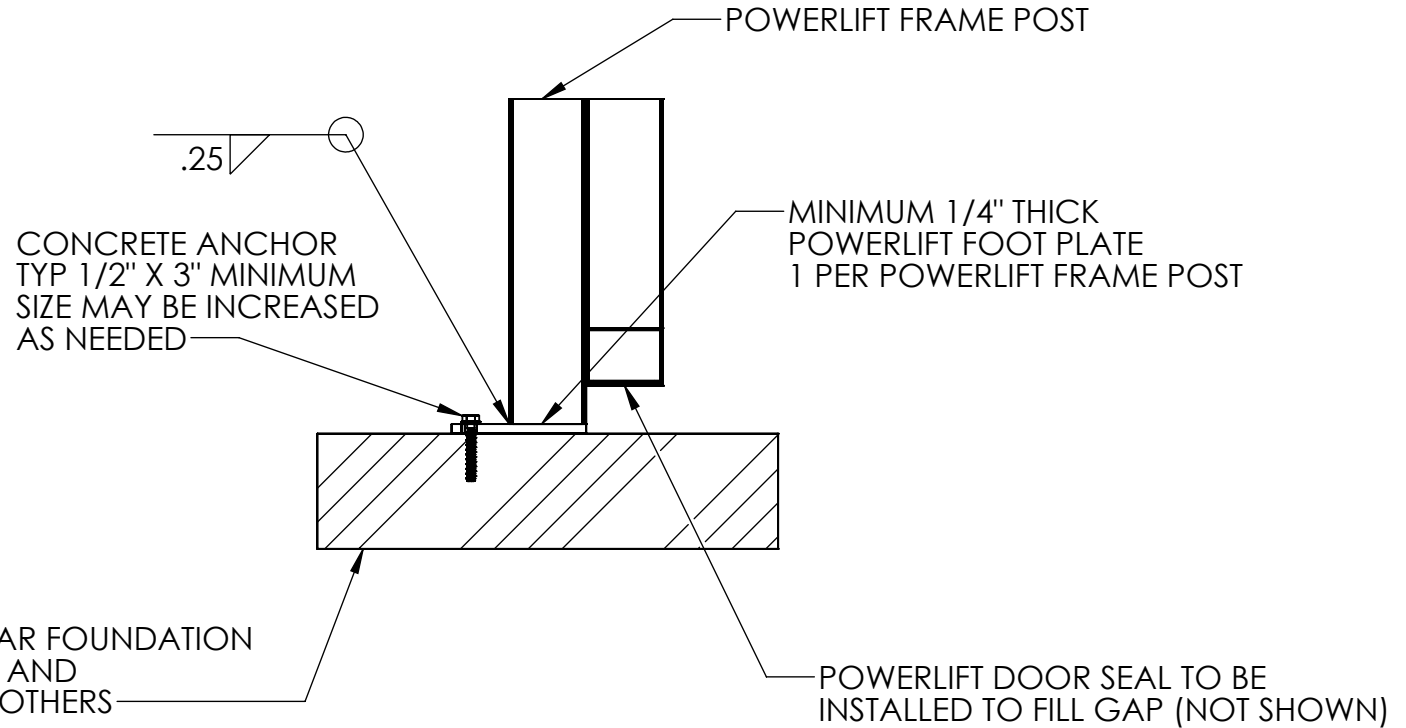
Monday, September 12, 2022 4:03:33 PM

# POWERLIFT JUNIORPLUS SILL DETAIL



B

B



CONCRETE/REBAR FOUNDATION TO BE SPECIFIED AND COMPLETED BY OTHERS

SECTION C-C  
SCALE 1 : 10

**PROPRIETARY AND CONFIDENTIAL**

THE INFORMATION CONTAINED IN THIS DRAWING IS THE SOLE PROPERTY OF POWERLIFT DOORS. ANY REPRODUCTION IN PART OR AS A WHOLE WITHOUT THE WRITTEN PERMISSION OF POWERLIFT DOORS IS PROHIBITED.



		UNLESS OTHERWISE SPECIFIED:		NAME	DATE	Part Number
		DIMENSIONS ARE IN INCHES		DRAWN		TITLE: <b>Wood Jamb and Double Truss Header</b>
		TOLERANCES:		CHECKED		
		FRACTIONAL ±		ENG APPR.		
		ANGULAR: MACH ± BEND ±		MFG APPR.		
		TWO PLACE DECIMAL ±		Q.A.		
		THREE PLACE DECIMAL ±		COMMENTS:		SIZE
		INTERPRET GEOMETRIC TOLERANCING PER: ASME Y14. 5-2009				Door Type(s)
		MATERIAL				JuniorPlus
		ASTM A36, ASTM A500B				REV
		FINISH				A
NEXT ASSY	USED ON					SCALE: 1:25
						WEIGHT: 2238.49
APPLICATION		DO NOT SCALE DRAWING				SHEET 3 OF 3

A

A