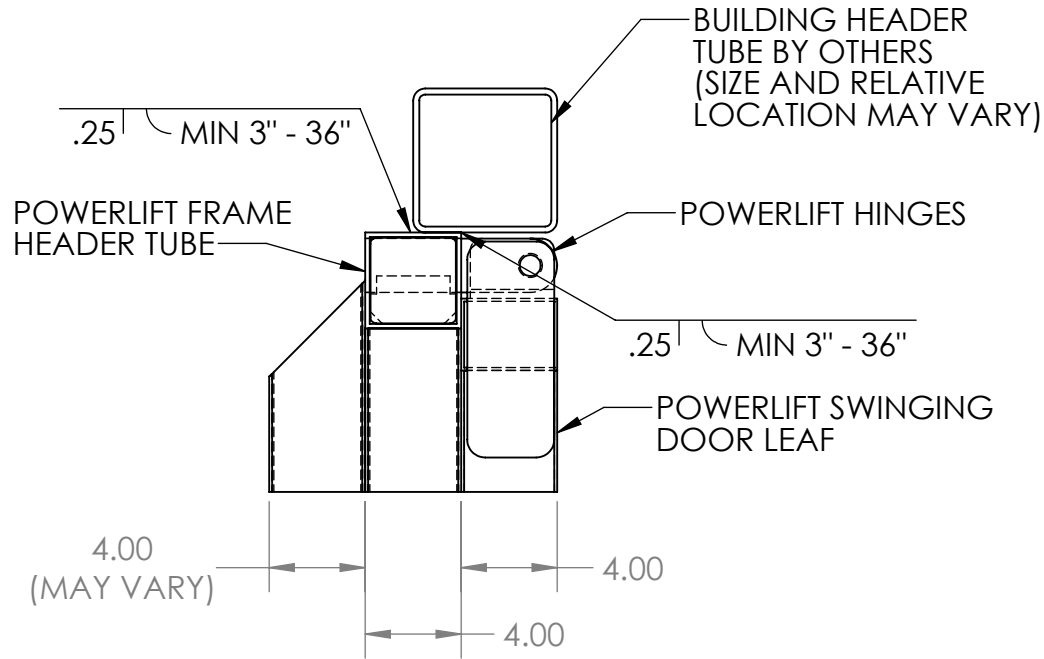
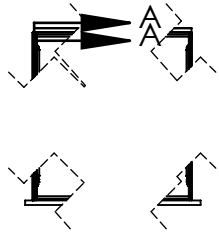


Monday, September 12, 2022 3:24:43 PM

# POWERLIFT JUNIORPLUS HEAD DETAIL (TUBE BUILDING HEAD MEMBER)



SECTION A-A  
SCALE 1 : 8

**PROPRIETARY AND CONFIDENTIAL**

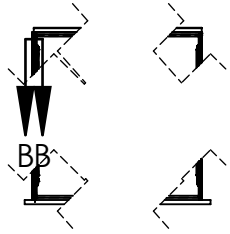
THE INFORMATION CONTAINED IN THIS DRAWING IS THE SOLE PROPERTY OF POWERLIFT DOORS. ANY REPRODUCTION IN PART OR AS A WHOLE WITHOUT THE WRITTEN PERMISSION OF POWERLIFT DOORS IS PROHIBITED.



		UNLESS OTHERWISE SPECIFIED:		NAME	DATE	Part Number
		DIMENSIONS ARE IN INCHES		DRAWN		TITLE: <b>Tube Jamb and Header</b>
		TOLERANCES:		CHECKED		
		FRACTIONAL ±		ENG APPR.		
		ANGULAR: MACH ± BEND ±		MFG APPR.		
		TWO PLACE DECIMAL ±		Q.A.		
		THREE PLACE DECIMAL ±		COMMENTS:		
		INTERPRET GEOMETRIC TOLERANCING PER: ASME Y14. 5-2009				SIZE
		MATERIAL				Door Type(s)
		ASTM A36, ASTM A500B				JuniorPlus
		FINISH				REV
						A
NEXT ASSY	USED ON					SCALE: 1:25
						WEIGHT: 2238.49
APPLICATION		DO NOT SCALE DRAWING				SHEET 1 OF 3

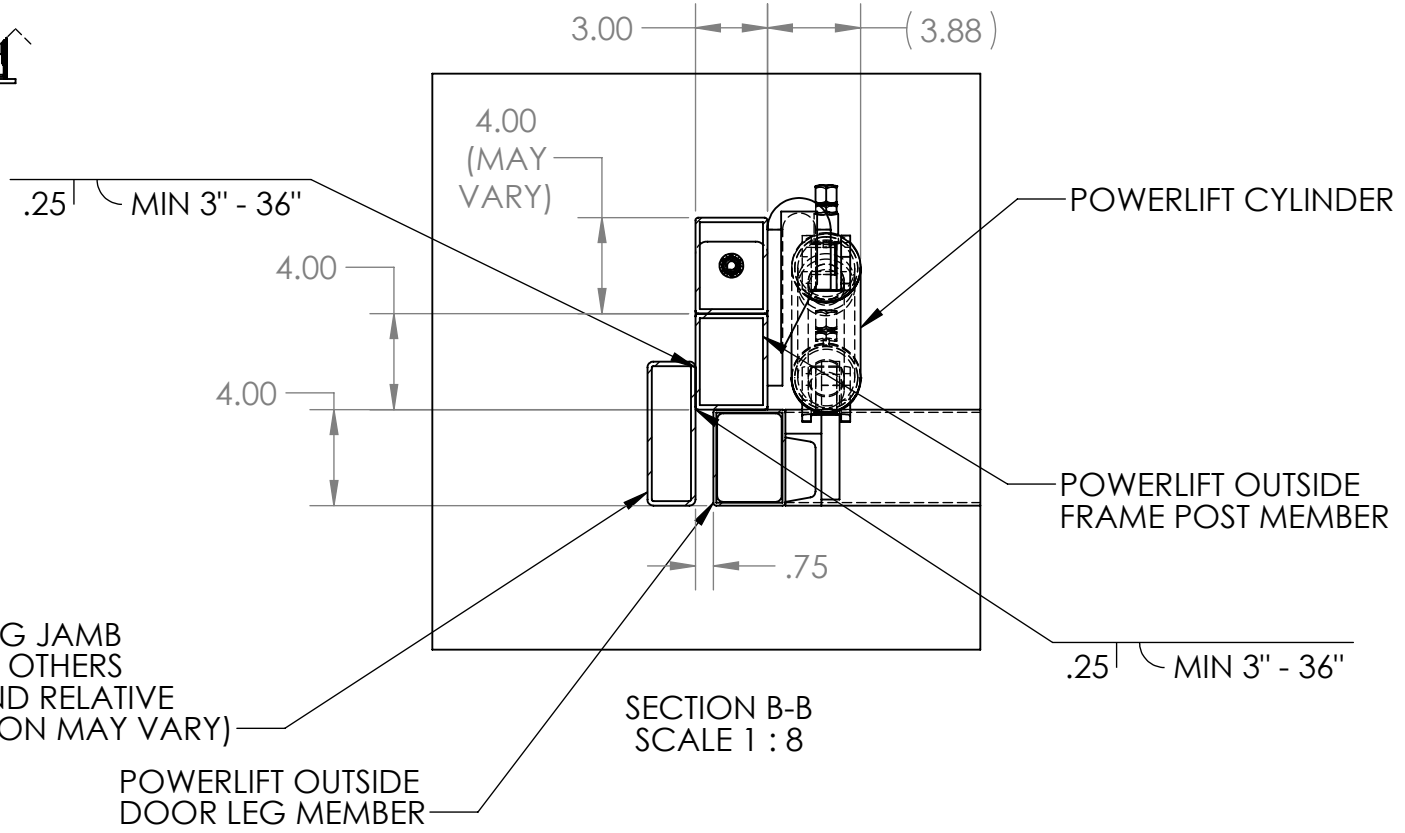
Monday, September 12, 2022 3:24:43 PM

# POWERLIFT JUNIORPLUS JAMB DETAIL (TUBE BUILDING JAMB MEMBER)



B

B



SECTION B-B  
SCALE 1 : 8

A

A

**PROPRIETARY AND CONFIDENTIAL**

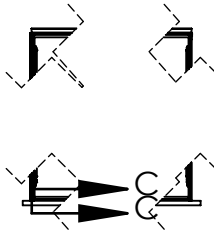
THE INFORMATION CONTAINED IN THIS DRAWING IS THE SOLE PROPERTY OF POWERLIFT DOORS. ANY REPRODUCTION IN PART OR AS A WHOLE WITHOUT THE WRITTEN PERMISSION OF POWERLIFT DOORS IS PROHIBITED.



		UNLESS OTHERWISE SPECIFIED:		NAME	DATE	Part Number
		DIMENSIONS ARE IN INCHES		DRAWN		TITLE: <b>Tube Jamb and Header</b>
		TOLERANCES:		CHECKED		
		FRACTIONAL ±		ENG APPR.		
		ANGULAR: MACH ± BEND ±		MFG APPR.		
		TWO PLACE DECIMAL ±		Q.A.		
		THREE PLACE DECIMAL ±		COMMENTS:		SIZE
		INTERPRET GEOMETRIC TOLERANCING PER: ASME Y14. 5-2009				Door Type(s)
		MATERIAL				JuniorPlus
		ASTM A36, ASTM A500B				REV
		FINISH				A
NEXT ASSY	USED ON					SCALE: 1:25
						WEIGHT: 2238.49 SHEET 2 OF 3
APPLICATION		DO NOT SCALE DRAWING				

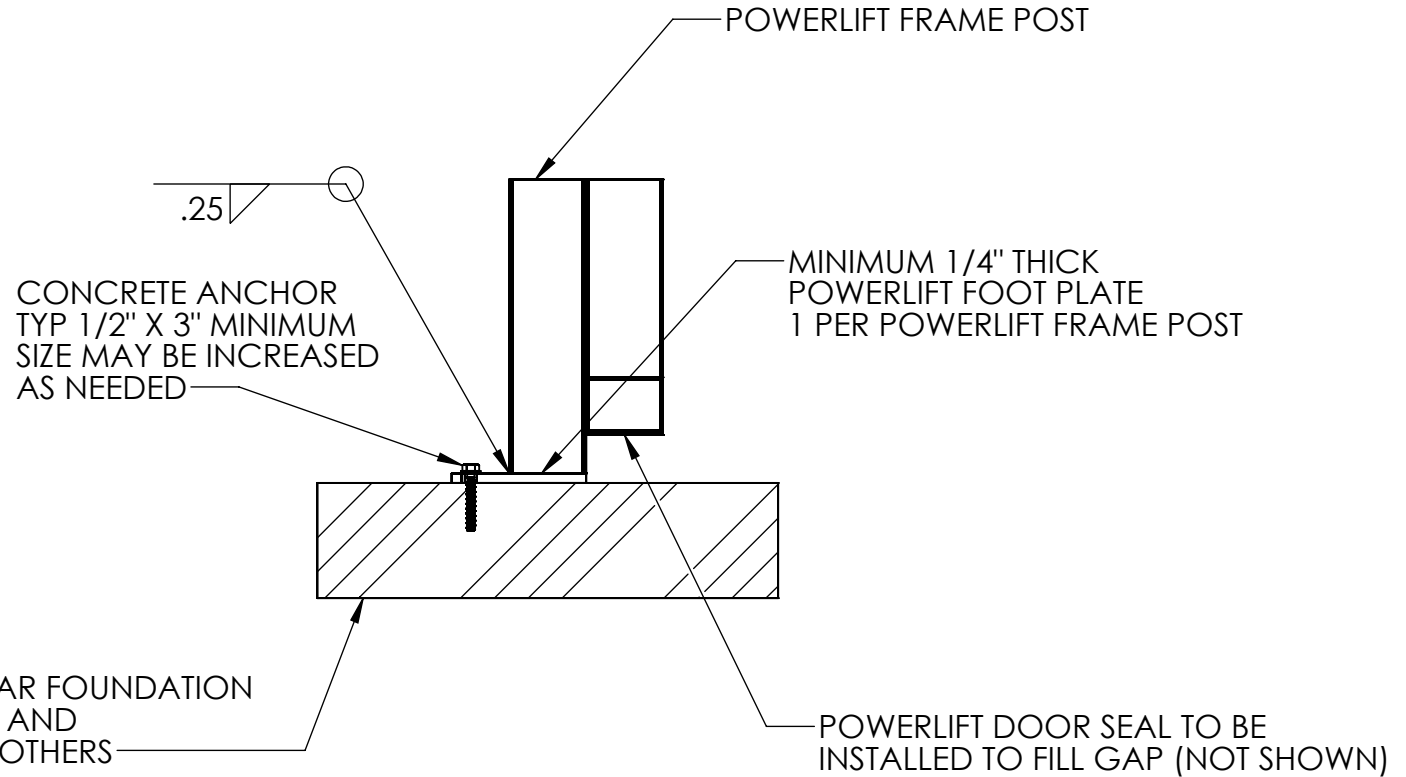
Monday, September 12, 2022 3:24:43 PM

# POWERLIFT JUNIORPLUS SILL DETAIL



B

B



SECTION C-C  
SCALE 1 : 10

A

A

**PROPRIETARY AND CONFIDENTIAL**  
 THE INFORMATION CONTAINED IN THIS DRAWING IS THE SOLE PROPERTY OF POWERLIFT DOORS. ANY REPRODUCTION IN PART OR AS A WHOLE WITHOUT THE WRITTEN PERMISSION OF POWERLIFT DOORS IS PROHIBITED.



		UNLESS OTHERWISE SPECIFIED:		NAME	DATE	Part Number
		DIMENSIONS ARE IN INCHES		DRAWN		TITLE: <b>Tube Jamb and Header</b>
		TOLERANCES:		CHECKED		
		FRACTIONAL ±		ENG APPR.		
		ANGULAR: MACH ± BEND ±		MFG APPR.		
		TWO PLACE DECIMAL ±		Q.A.		
		THREE PLACE DECIMAL ±		COMMENTS:		SIZE
		INTERPRET GEOMETRIC TOLERANCING PER: ASME Y14. 5-2009				Door Type(s)
		MATERIAL				JuniorPlus
		ASTM A36, ASTM A500B				REV
		FINISH				A
	NEXT ASSY	USED ON				SCALE: 1:25
						WEIGHT: 2238.49 SHEET 3 OF 3
	APPLICATION		DO NOT SCALE DRAWING			