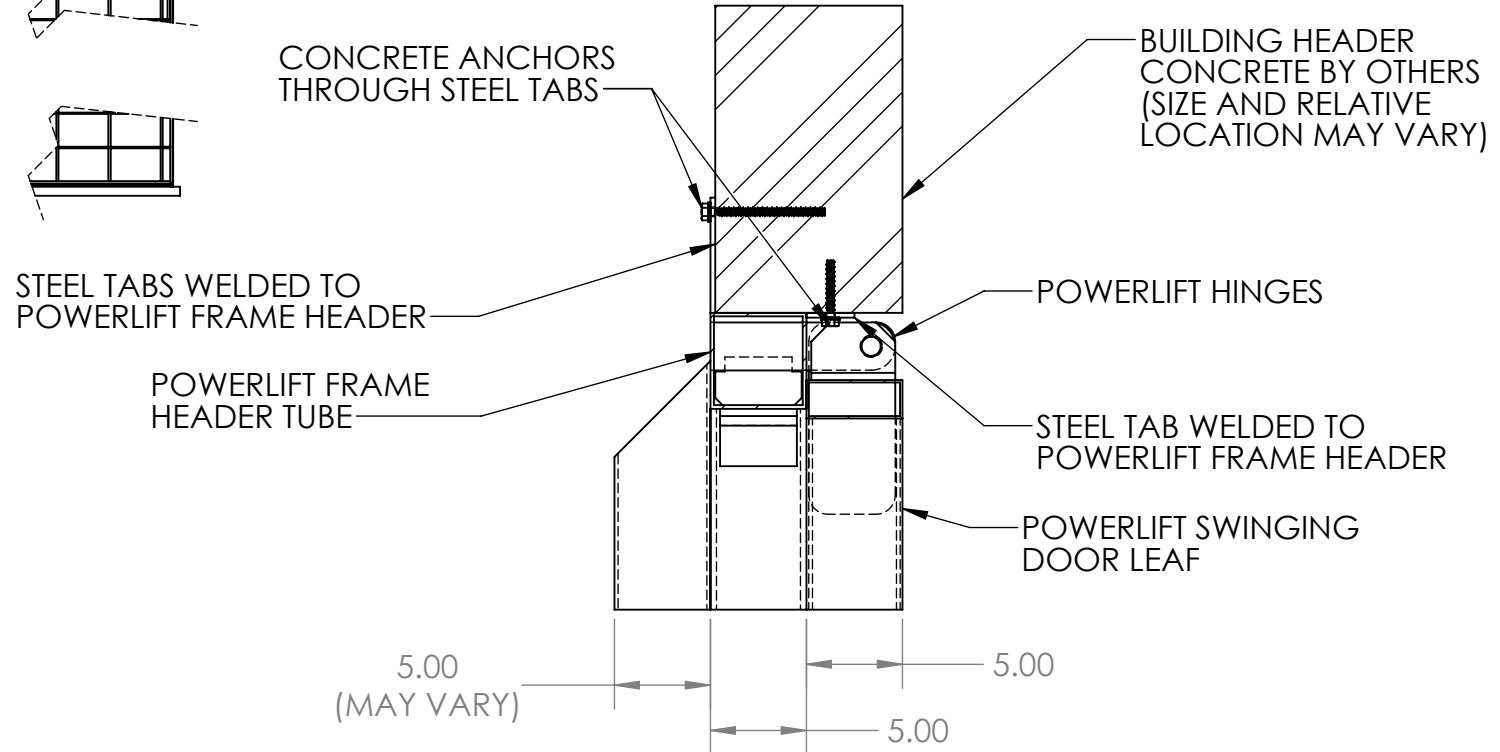
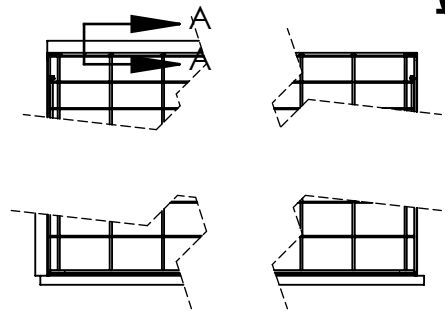


Monday, August 23, 2021 11:50:22 AM

POWERLIFT STANDARD HEAD DETAIL (CONCRETE BUILDING HEAD MEMBER)

B

B



SECTION A-A
SCALE 1 : 10

PROPRIETARY AND CONFIDENTIAL

THE INFORMATION CONTAINED IN THIS DRAWING IS THE SOLE PROPERTY OF POWERLIFT DOORS. ANY REPRODUCTION IN PART OR AS A WHOLE WITHOUT THE WRITTEN PERMISSION OF POWERLIFT DOORS IS PROHIBITED.



		UNLESS OTHERWISE SPECIFIED:		NAME	DATE
		DIMENSIONS ARE IN INCHES	DRAWN		
		TOLERANCES:	CHECKED		
		FRACTIONAL ±	ENG APPR.		
		ANGULAR: MACH ± BEND ±	MFG APPR.		
		TWO PLACE DECIMAL ±	Q.A.		
		THREE PLACE DECIMAL ±	COMMENTS:		
		INTERPRET GEOMETRIC TOLERANCING PER: ASME Y14. 5-2009			
		MATERIAL			
		FINISH			
NEXT ASSY	USED ON				
APPLICATION		DO NOT SCALE DRAWING			

Part Number	N/A	
TITLE:	Standard Concrete Jamb Header	
SIZE	Door Type(s)	REV
A	Standard	A
SCALE: 1:25	WEIGHT:	SHEET 1 OF 3

A

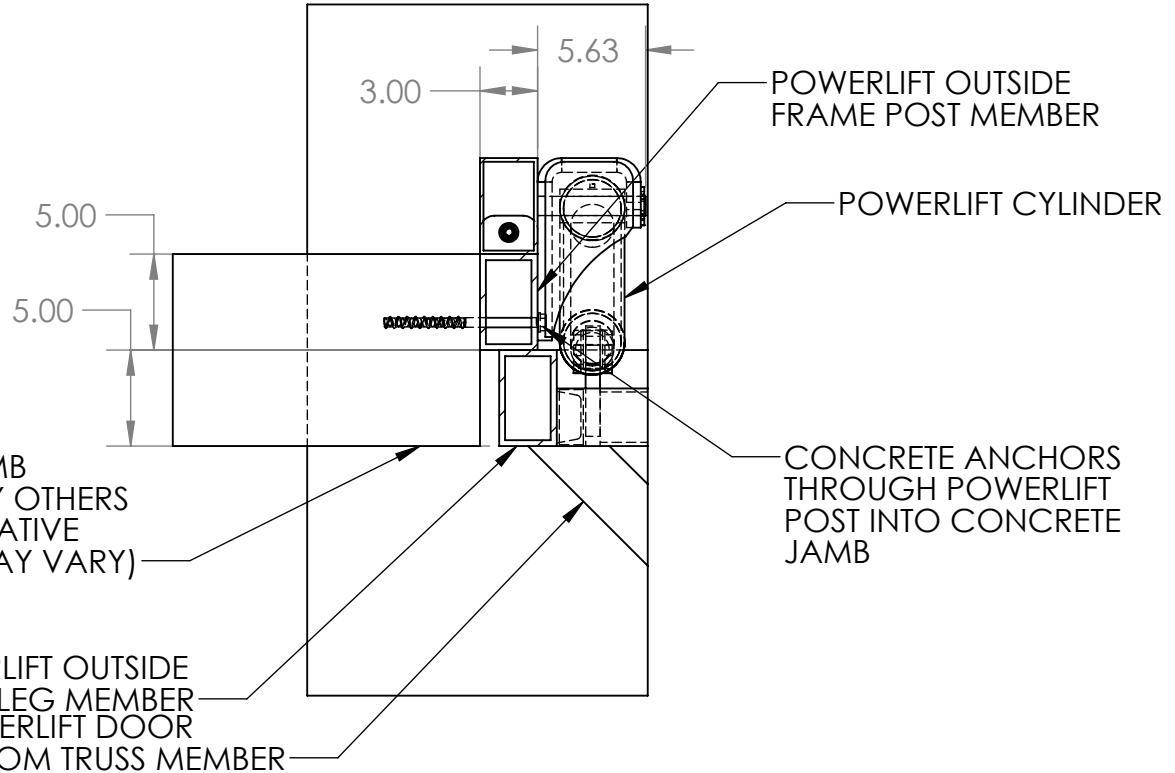
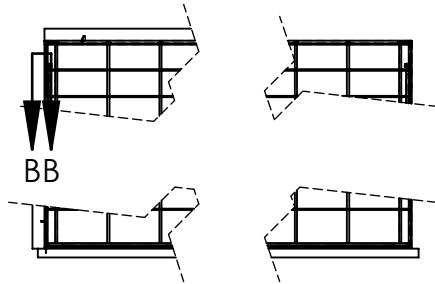
A

Monday, August 23, 2021 11:50:22 AM

POWERLIFT STANDARD JAMB DETAIL (CONCRETE BUILDING JAMB MEMBER)

B

B



BUILDING JAMB
CONCRETE BY OTHERS
(SIZE AND RELATIVE
LOCATION MAY VARY)

POWERLIFT OUTSIDE
DOOR LEG MEMBER
POWERLIFT DOOR
BOTTOM TRUSS MEMBER

POWERLIFT OUTSIDE
FRAME POST MEMBER

POWERLIFT CYLINDER

CONCRETE ANCHORS
THROUGH POWERLIFT
POST INTO CONCRETE
JAMB

SECTION B-B
SCALE 1 : 10

PROPRIETARY AND CONFIDENTIAL

THE INFORMATION CONTAINED
IN THIS DRAWING IS THE SOLE
PROPERTY OF POWERLIFT
DOORS. ANY REPRODUCTION
IN PART OR AS A WHOLE
WITHOUT THE WRITTEN
PERMISSION OF POWERLIFT
DOORS IS PROHIBITED.



		UNLESS OTHERWISE SPECIFIED:		NAME	DATE
		DIMENSIONS ARE IN INCHES TOLERANCES: FRACTIONAL ± ANGULAR: MACH ± BEND ± TWO PLACE DECIMAL ± THREE PLACE DECIMAL ±	DRAWN		
		INTERPRET GEOMETRIC TOLERANCING PER: ASME Y14. 5-2009	CHECKED		
		MATERIAL	ENG APPR.		
		FINISH	MFG APPR.		
		NEXT ASSY	USED ON	Q.A.	
		APPLICATION	DO NOT SCALE DRAWING	COMMENTS:	

Part Number	N/A	
TITLE:	Standard Concrete Jamb Header	
SIZE	Door Type(s)	REV
A	Standard	A
SCALE: 1:25	WEIGHT:	SHEET 2 OF 3

A

A

2

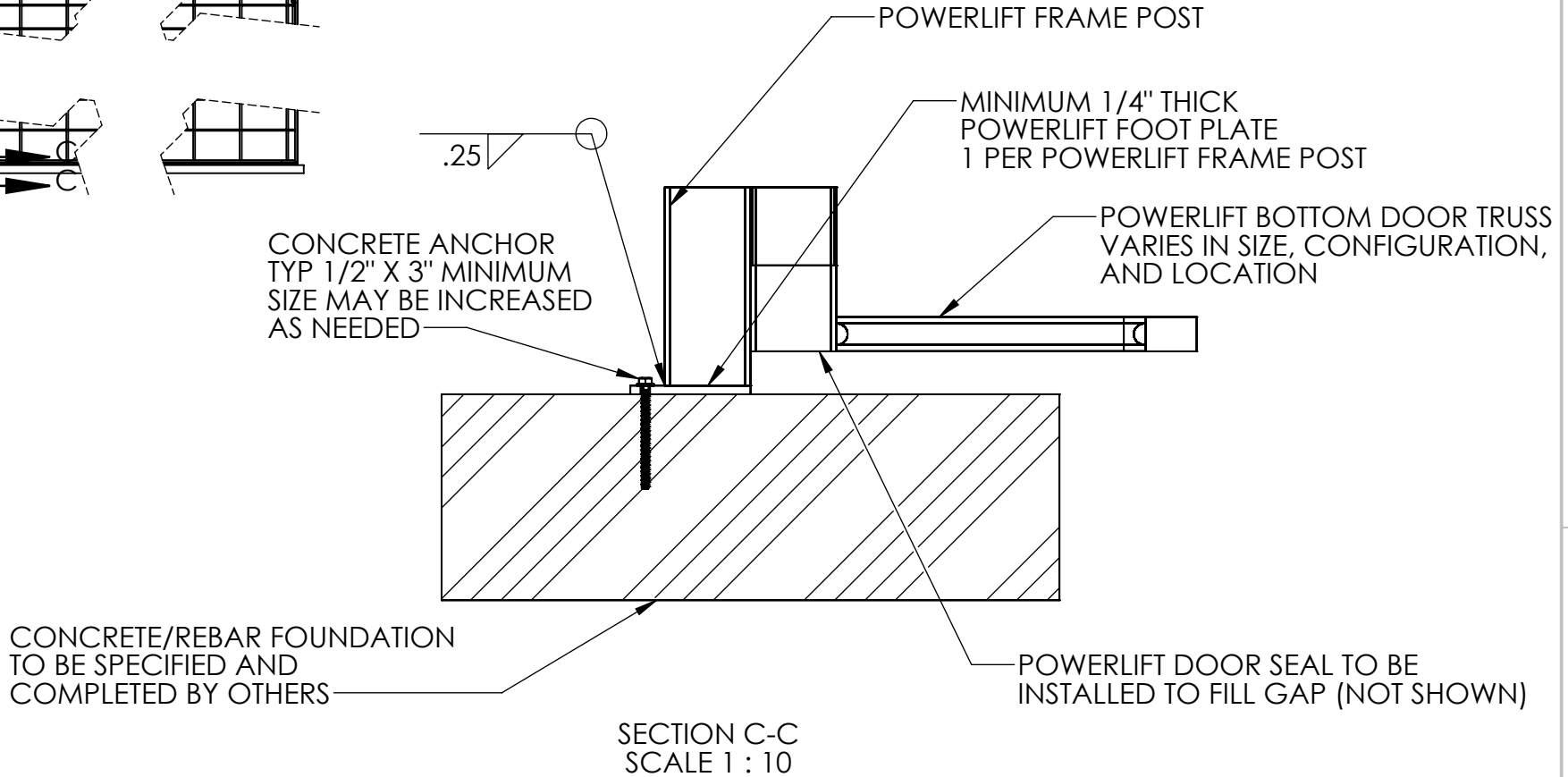
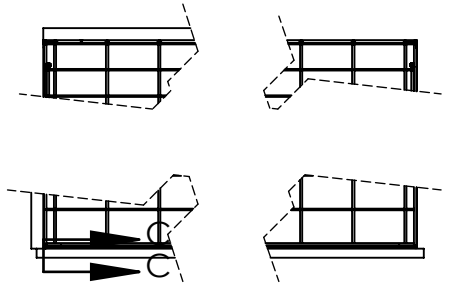
1

Monday, August 23, 2021 11:50:22 AM

POWERLIFT STANDARD SILL DETAIL

B

B



A

A

PROPRIETARY AND CONFIDENTIAL

THE INFORMATION CONTAINED
IN THIS DRAWING IS THE SOLE
PROPERTY OF POWERLIFT
DOORS. ANY REPRODUCTION
IN PART OR AS A WHOLE
WITHOUT THE WRITTEN
PERMISSION OF POWERLIFT
DOORS IS PROHIBITED.



		UNLESS OTHERWISE SPECIFIED:		NAME	DATE
		DIMENSIONS ARE IN INCHES	DRAWN		
		TOLERANCES:	CHECKED		
		FRACTIONAL ±	ENG APPR.		
		ANGULAR: MACH ± BEND ±	MFG APPR.		
		TWO PLACE DECIMAL ±	Q.A.		
		THREE PLACE DECIMAL ±	COMMENTS:		
		INTERPRET GEOMETRIC TOLERANCING PER: ASME Y14. 5-2009			
		MATERIAL			
		FINISH			
NEXT ASSY	USED ON				
APPLICATION		DO NOT SCALE DRAWING			

Part Number	N/A	
TITLE:	Standard Concrete Jamb Header	
SIZE	Door Type(s)	REV
A	Standard	A
SCALE: 1:25	WEIGHT:	SHEET 3 OF 3

2

1